

FAS2022 Filter Regulator



FAS1/2/4000 Series Filter Regulators

Pneumatic Instrumentation requires well regulated, clean, dry, oil-free air to assure a long trouble free life. Brandt Instruments FAS Series of Filter Regulators offers combinations of regulators and high-efficiency filters designed to regulate supply air and remove contaminants, oil and water vapor.

FAS1022: Dual Filter Regulator

- Designed specifically for use with Brandt's DPT2000 "Continuous Purging" D.P. Transmitter.
- Features dual regulators (one preset at the factory), 0-60 psig supply gauge, 5 micron pre-filter and a 0.3 micron coalescent filter.
- Eliminates spikes caused by compressor cycle.

FAS2022: I/P Filter Regulator

- Recommended for use with Brandt's CPT and STD Series of Current to Pressure Transducers.
- Features a powder coated zinc body and metal bowl with manual drain and 5 micron filter.
- Integral 0-60 psig supply gauge with no exposed fittings.
- Can be mounted directly to the STD Series of Current To Pressure Transducers.

FAS4022: High Volume Filter Regulator

- Recommended for use with Brandt's CPT4000 "High Density" Current to Pressure Transducer in Rack and Wall configuration.
- Features a High volume regulator, 5 micron pre-filter, 0.3 micron coalescent filter and 0-60 psig supply gauge.

FAS1000/2000/4000 Series Filter Regulator

SPECIFICATIONS

FAS1022: Dual Filter Regulator

Material: Body: Aluminum. Seals: Buna-N Adjustment Knob: Acetal. Piston: Acetal. Bowl: Transparent Polycarbonate with manual drain.

Working Pressure: 150 PSIG (10.2 Bar)

Flow: 20 SCFM

Operation: Piston

Connections: 1/4" Tube Compression, Brass. Stainless Steel optional. Consult Factory.

Gauge: 0-60 PSIG standard. 1/4" Brass CBM. Other scales possible. Consult factory for availability.

Filters: 5 micron pre-filter & 0.3 micron coalescent filter.

FAS2022: I/P Filter Regulator

Material: Body: Powder coated Zinc. Seals: Fluorocarbon. Adjustment Knob/Cap: Acetal / ABS. Diaphragm: Brass / Nitrile. Bowl: Powder Coated Zinc with Manual Drain.

Working Pressure: 250 PSIG (17 Bar)

Temperature: 175°F (79°C)

Flow: 42.1 SCFM

Operation: Diaphragm

Connections: 1/4" Tube Compression, Brass. Stainless Steel available. Consult Factory.

Gauge: Integral 0-60 PSI standard. Other scales possible. Consult factory for availability.

Filters: 5 micron pre-filter.

FAS4022: High Volume Filter Regulator

Material: Body: Zinc & Aluminum. Seals: Buna N. Adjustment Knob/Cap: Acetal. Piston: Acetal. Bowl: Polycarbonate with Metal Shield & Manual Drain

Working Pressure: 150 PSIG (10.2 Bar)

Flow: 60 SCFM

Operation: Piston

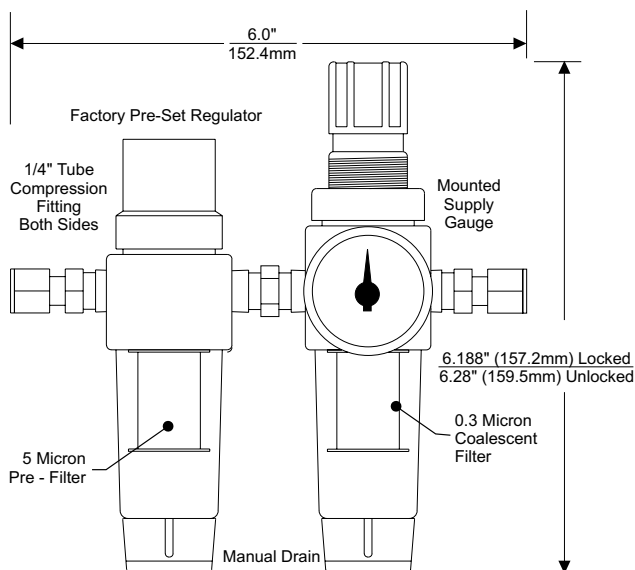
Connections: 3/4" NPTF

Gauge: Integral 0-60 PSI standard.

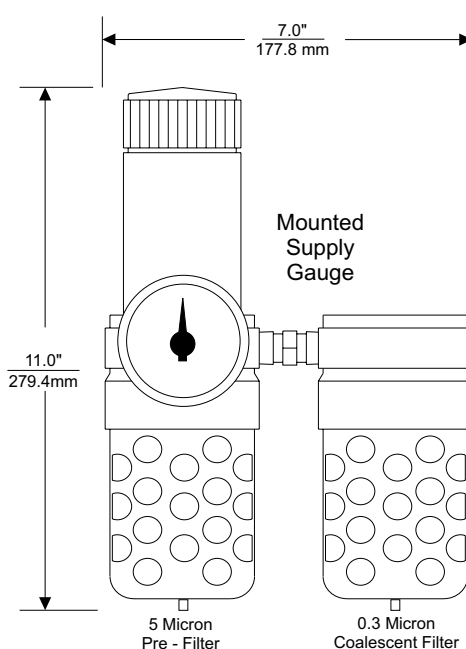
Filters: 5 micron pre-filter & 0.3 micron coalescent filter

BRANDT INSTRUMENTS

For over 20 years, Brandt Instruments has been the recognized leader in the measurement of air/gas flow and very low differential pressure in industrial applications. Brandt offers a complete line of pitot/static probes and arrays, D.P. Transmitters, the unique Nozzle-Pitot flow sensor and a complete family of Current to Pressure (I/P) and Pressure to Current (P/I) Transducers. Contact Brandt Instruments, or Brandt's representative, for further information, specifications and application assistance.



FAS1022 Filter Regulator



FAS4022 Filter Regulator



A subsidiary of ONIX Systems Inc., A Thermo Electron company.

Brandt Instruments, Inc.

P.O. Box 1190, 3333 Airpark Road

Fuquay, North Carolina 27526 USA

Telephone: (919) 552-9011 Facsimile: (919) 552-9716